

29.50 (LENS)

# GPB 340

Joining the 300 series is the GPB 340 triangular push-button from Gamesman.

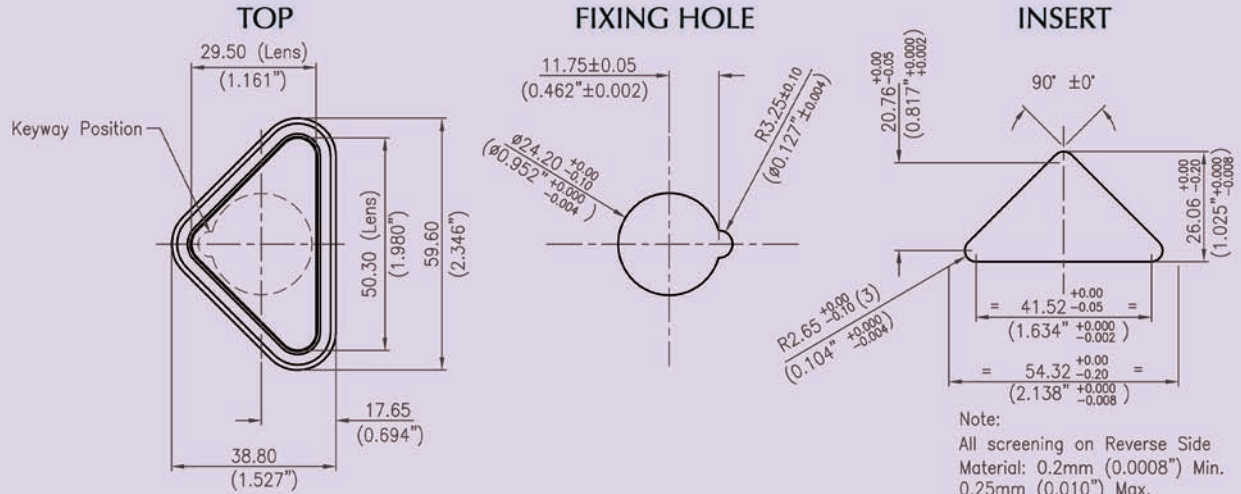
The design incorporates an innovative angular profile to further accentuate the triangular shape and utilises twin-shot moulding technology to create a combination of visual effects.

This push-button is mounted through a standard round hole thus eliminating costly triangular holes in glass.

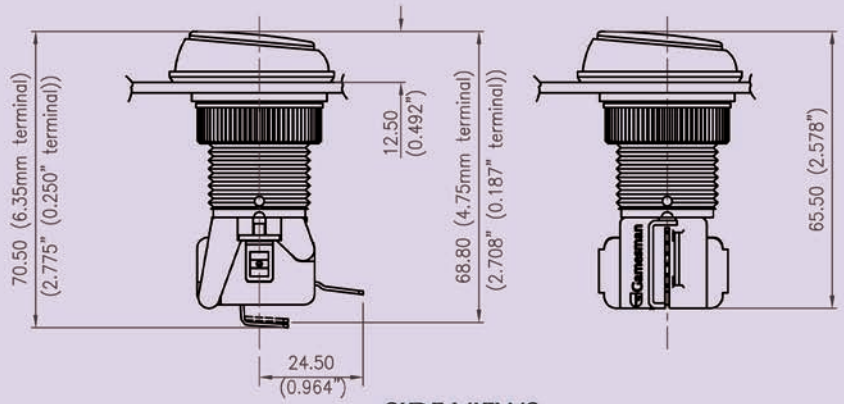
The optional halo version utilises twin-shot moulding technology to produce the effect around the base of the button.



# GPB 340 SPECIFICATION



Note:  
 All screening on Reverse Side  
 Material: 0.2mm (0.0008") Min.  
 0.25mm (0.010") Max.  
 Clear Cellulose Acetate



SIDE VIEWS